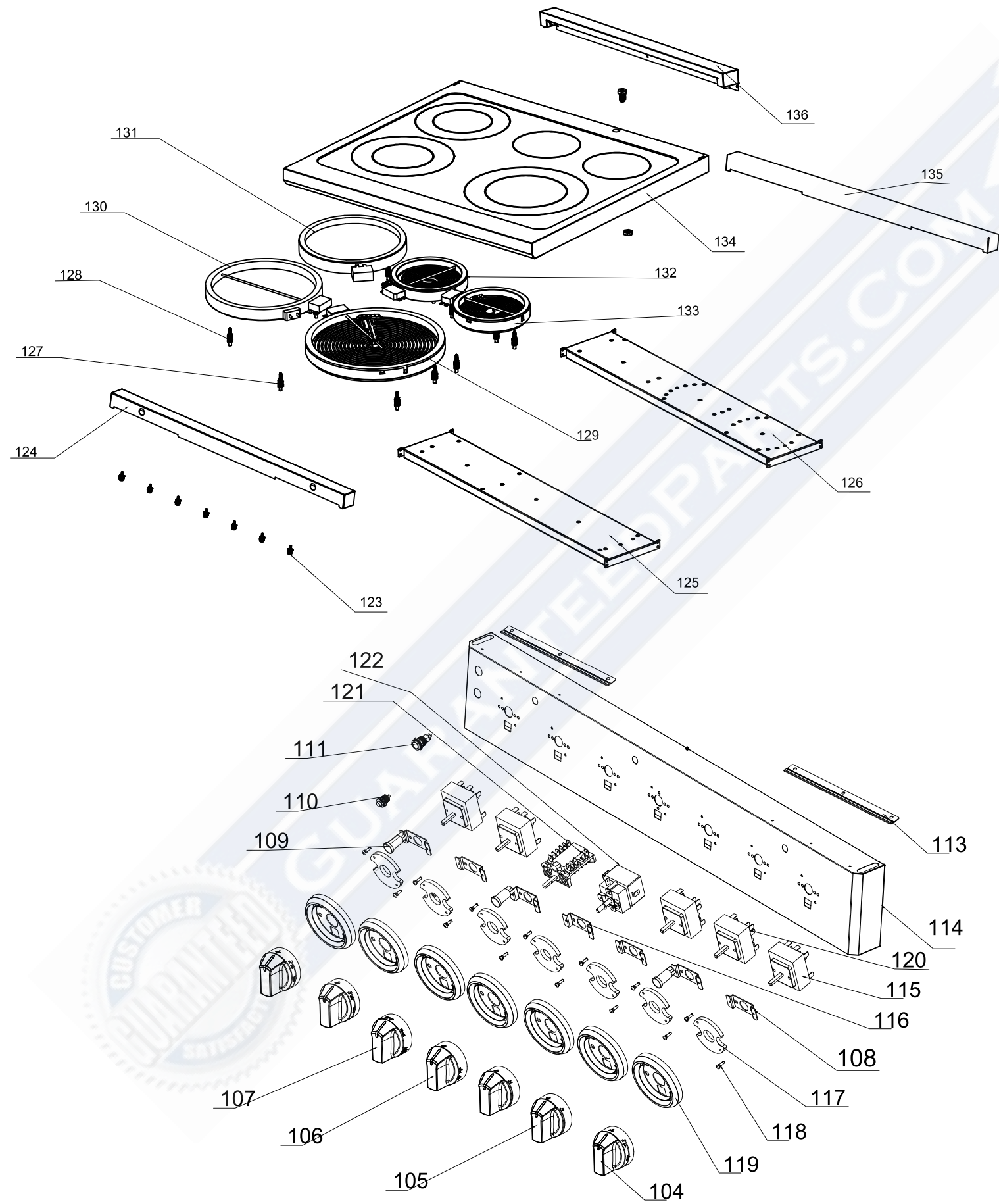
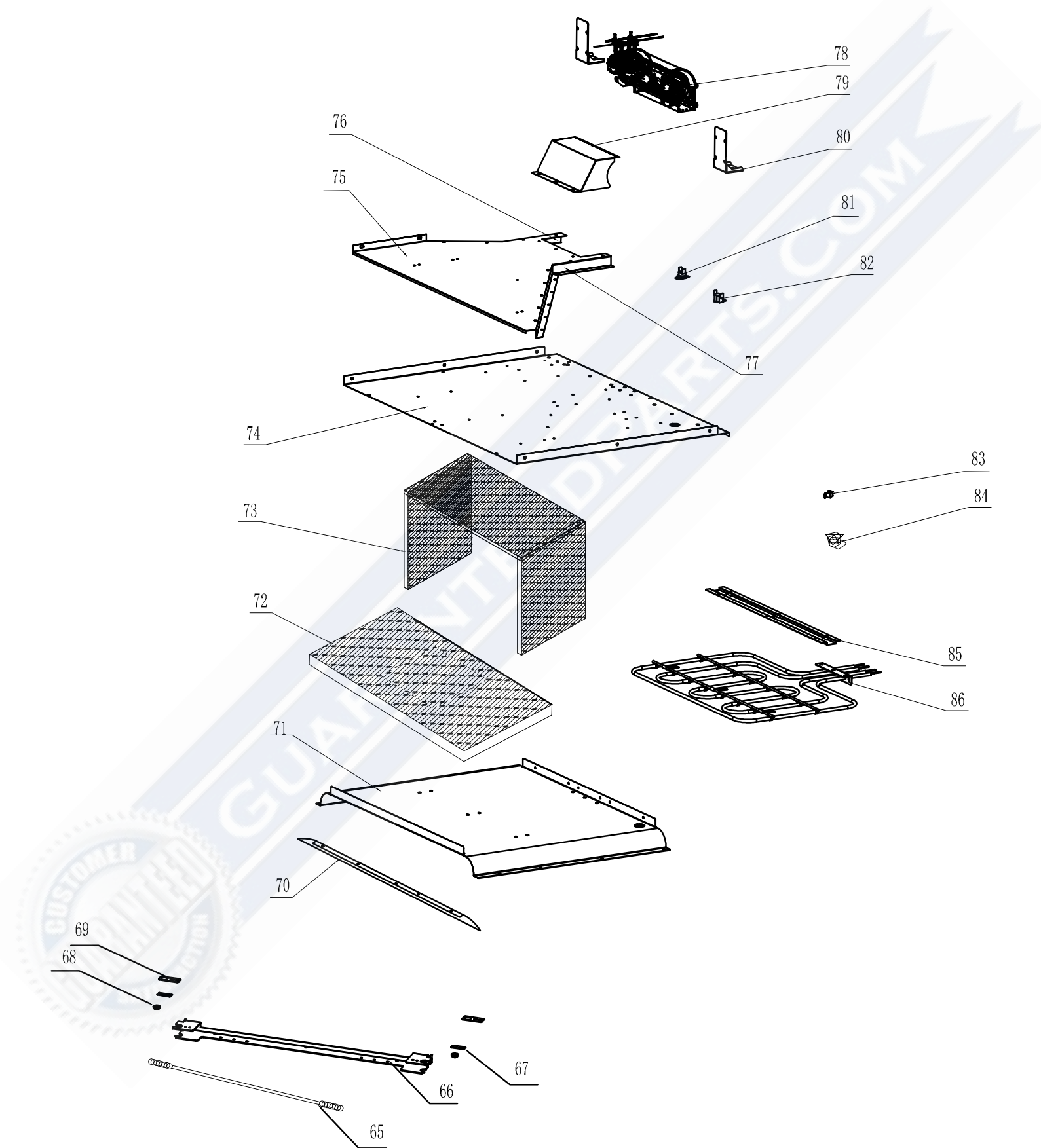


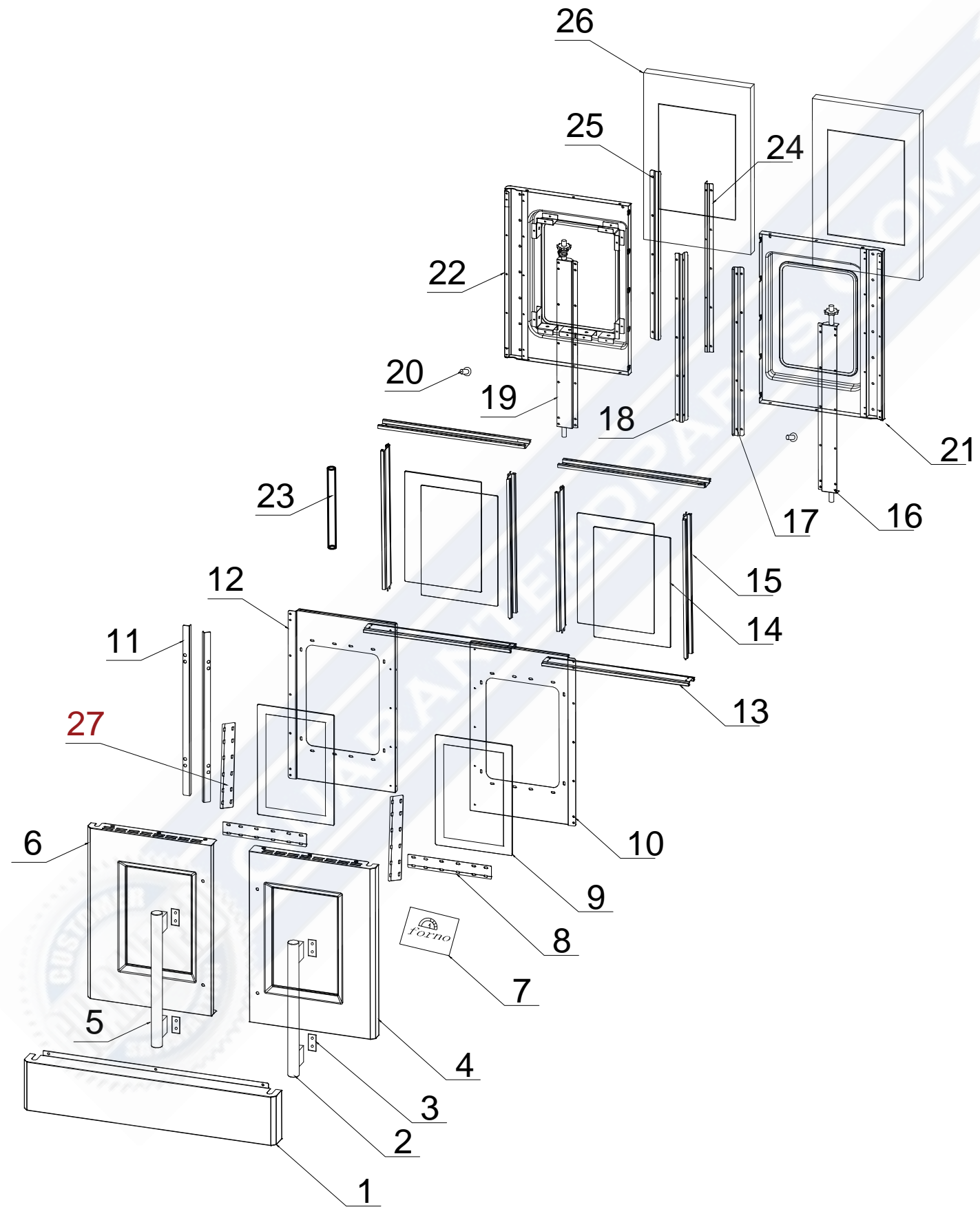
# cooktop



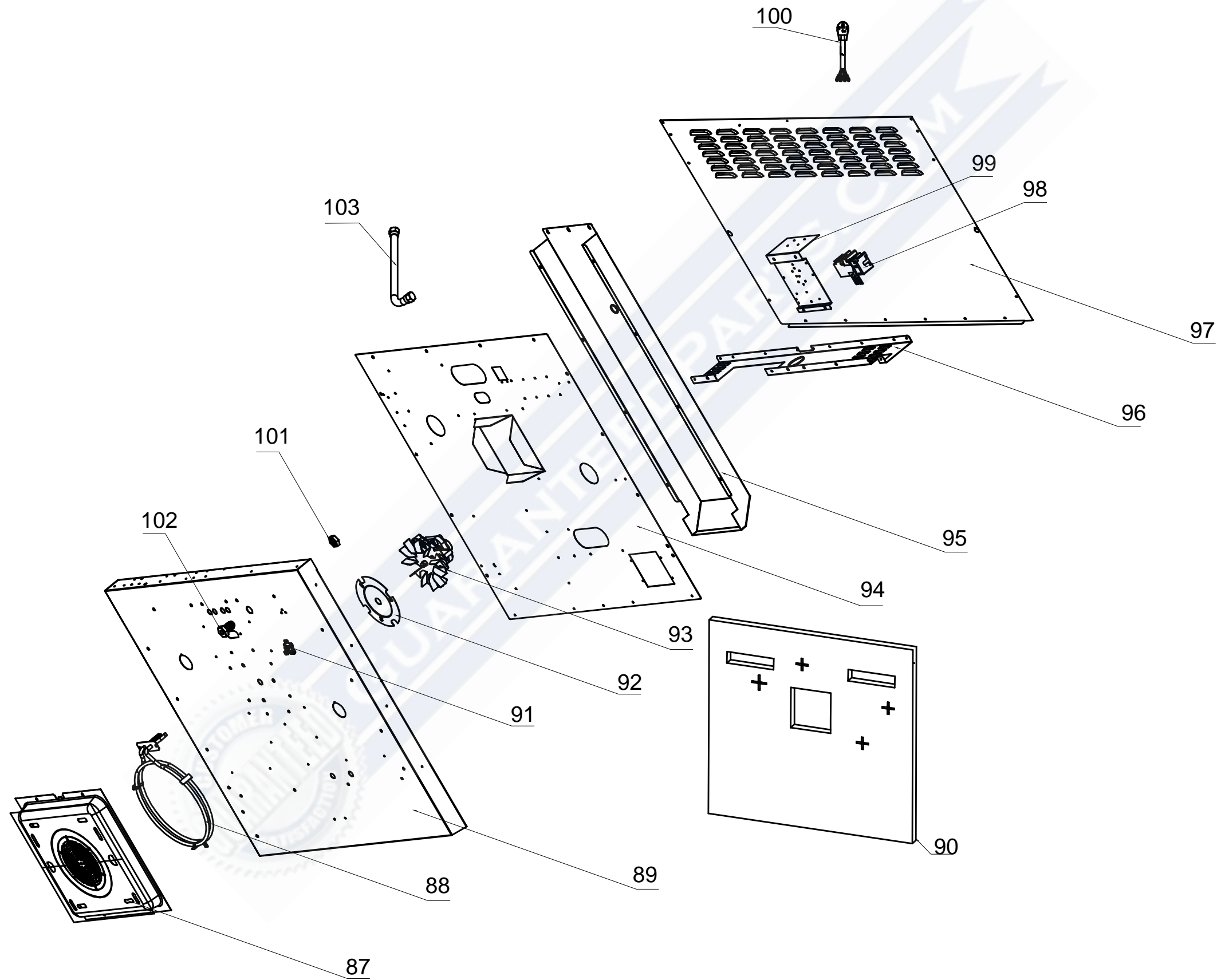
# cavity top



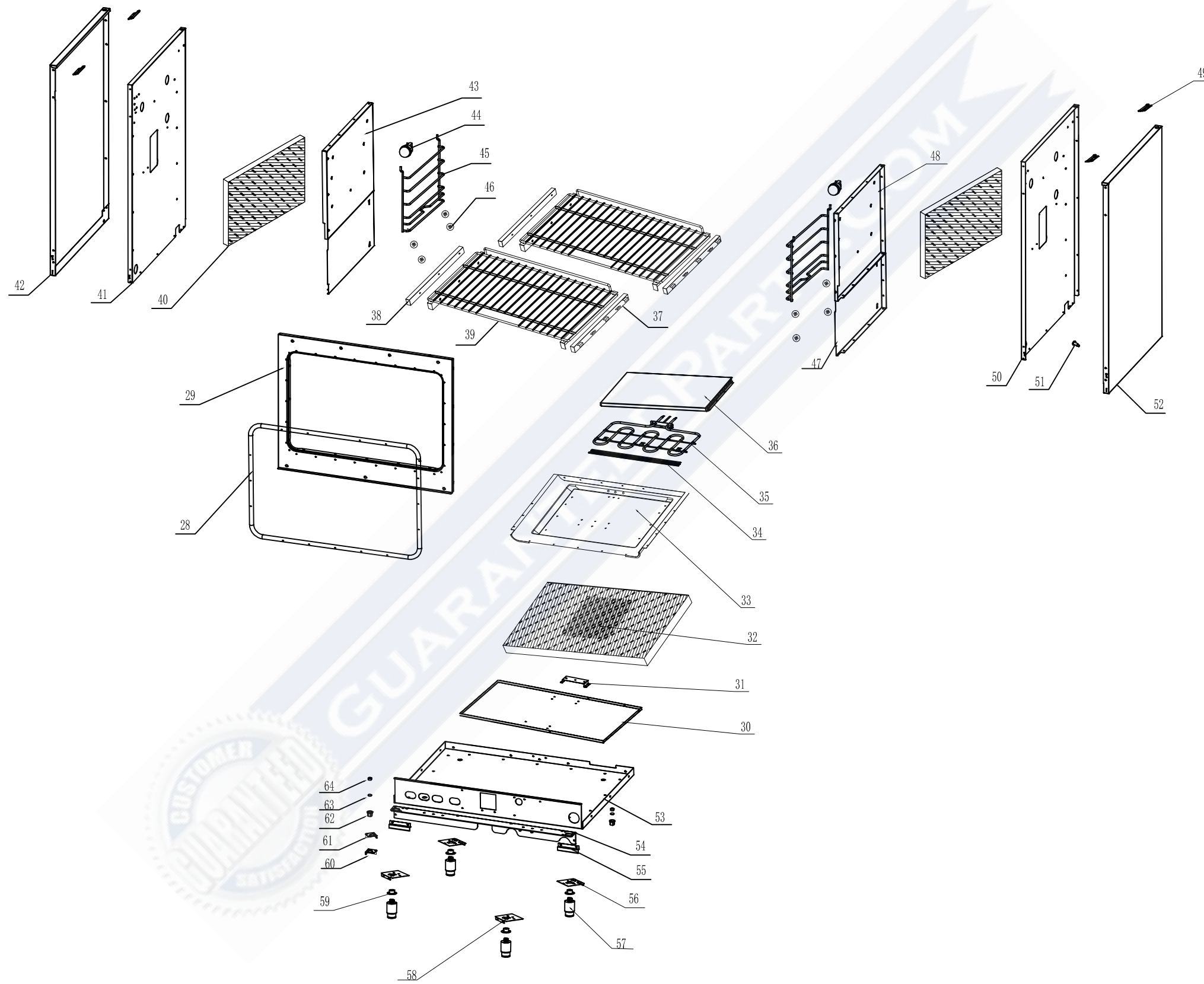
# door



# cavity back



# oven cavity



# FFSEL6955-36

NO.	Part Description	SKU	QTY.
1	Drawer panel G36R45	G36R45-120100	1
2	Handle right G18R43	G18R43-101901	1
3	handle rubber mat G18R43	G18R43-100700	4
4	door outside cover component G36R45 R	0307003000013	1
5	Handle left G18R43	G18R43-101900	1
6	door outside cover component G36R45 L	0307003000012	1
7	metal logo FFSGS6244-36	G36R03-020010	1
8	door outer glass black pressing plate G36R43	G30R45-101400-02	4
9	door outer glass G36R43	G36R43-100300	2
10	door insulation plate G36R43	G36R43-100801	1
11	Handle strengthen bar G36R43	G36R43-100700	2
12	door insulation plate G36R43	G36R43-100800	1
13	inner door glass top/down stip G36R43	G36R43-101500	4
14	inner door glass G36R43	G36R43-100500	4
15	inner door glass R/L strip G36X03	G36X03-101601	4
16	axis of rotation component right G36R43	G36R43-101301-Z	1
17	supported seal part for right door G36R44	G36R44-102100	1
18	seal support for left door G36R44	G36R44-101000	1
19	axis of rotation component left G36R43	G36R43-101300-Z	1
20	drawer rubber mat G20A01	G20A01-120900	2
21	Door frame right G36R45	G36R43-100603-Z	1
22	Door frame left G36R45	G36R43-100602-Z	1
23	door seal bar G36R43	G36R43-071200	1
24	seal part for right door G36R43	G36R43-101100	1
25	supported seal part for left door G36R43	G36R43-102000	1
26	glass wool for door G36R43	G36R43-103500	2
27	door outer glass black L/R pressing plate G36R43	G36R43-101400-02	4
28	door seal bar G36R03	G36R03-071200	1
29	front plate component G36R43	G36R43-070100-Z	1
30	drawer insulation plate C36X04	C36X04-072100	1
31	cavity bottom heat element ground support C36X04	C36X04-080700	1
32	glass wool for cavity bottom plate G36X03	G36X03-036000	1
33	cavity down plate C36X03	C36X03-070704-Z	1
34	heat element cushion plate C36X04	C36X04-080600	1
35	36"oven bottom heat element C36R05	C36R05-091200	1
36	oil baffle plate C36X04	C36X04-215102	1
37	slide rail R X01 series G36X01	G36X01-120701	2
38	slide rail L X01 series G36X01	G36X01-120700	2
39	baking rack G36R05	G36R05-071902	2
40	glass wool for cavity down left upper side G36X03	G36X03-073300	2
41	left outside plate inside E30R43	E30R43-071101	1

42	left outside plate E30R45	E30R45-071000	1
43	cavity top left side plate G36X04	G36X04-070509	1
44	Lamp round G36X03	G36X03-180100	2
45	side rack G36X01	G36X01-073800	2
46	side rack protect cover G36X03	G36X03-073900	8
47	cavity downside plate G36X03	G36X03-070400	2
48	cavity top right side plate G36X04	G36X04-070508	1
49	cooktop side press part E30R03	E36R03-071300	4
50	right outside plate inside E30R43	E30R43-071100	1
51	screw for anti-tip step G36X03	G36X03-111000	1
52	right outside plate E30R45	E30R45-071001	1
53	bottom plate G36R43	G36R43-071800	1
54	door downside connection plate G36R43	G36R43-985600-02	1
55	drawer fixed plate G30R45	G30R45-120200	2
56	back left/right foot fixed part G48R04	G48R04-071811	2
57	oven leg G60R05	G60R05-071500	4
58	front left/right foot fixed part G48R04	G48R04-071813	2
59	leg round fixed screw	BZ-0000000912	4
60	bottom rotate fixed part left G36R43	G36R43-032000-Z	1
61	bottom rotate fixed part right G36R43	G36R43-032001-Z	1
62	adjustable bottom base G36R43	G36R43-002100	2
63	rubber mat G36R43	G36R43-002300	2
64	rotate axis coat G48R43	G48R43-002200	2
65	chain with screw component G36R43	G36R43-110002	1
66	door topside connection plate G36R43	G36R43-022300-02	1
67	pressing plate for rotated axis G36R43	G36R43-057600	2
68	Copper bush G36R43	G36R43-130100	2
69	pressing plate for copper bush G36R43	G30R43-057600	2
70	front panel strip G36X03	G36X03-214500	1
71	cavity top plate C36R05	C36R05-070600-Z	1
72	glass wool for cavity bottom plate G36X03	G36X03-036000	1
73	glass wool for cavity structure frame G36X03	G36X03-070800	1
74	cavity insulation plate C36R43	C36R43-074500	1
75	Wind board E36R43	E36R43-075000	1
76	Left side plate for wind board C36R05	C36R05-075200	1
77	Right side plate for wind board C36R05	C36R05-075100	1
78	cooling fan C36R05	C36R05-200900	1
79	fan heat insulation cover C36X04	C36X04-075300	1
80	cooling fan fixed support C36X04	C36X04-075400	2
81	Thermo-controller 140°C E24F01	E24F01-076200	1
82	Thermo-controller 50°C C36R05	C36R05-076200	1
83	plastic wire hook G36R03	G36R03-160200	5
84	wires E36R45-180300	E36R45-180300	1
85	heat element cushion plate C36X04	C36X04-080600	1
86	broil heat element (inside+outside)	C36R05-091000	1

87	convection fan cover G20H08	G20H08-091701	1
88	back heat element	C20A01-091602	1
89	cavity back plate E36R05	E36R03-070301	1
90	glass wool for cavity back plate G36X03	G36X03-072900	1
91	thermo-sensor fixed part G20A01	G20A01-031100	1
92	fan motor baffle plate C36A01	C36A01-073100	1
93	Convection fan G20A01	G20A01-091501	1
94	cavity back insulation plate C36R05	C36R05-072200	1
95	back ventilation part C30R04	C30R04-075600	1
96	bottom fixed plate for baffle plate C36R05	C36R05-072400	1
97	baffle plate	E36R03-072001	1
98	cord terminal E20F01	E20F01-106400	1
99	safety valve big support G36X03	G36X03-076600	1
100	power cord 14#	G20A14-160100	1
101	Joint screw nut E30R03	E30R03-210510	2
102	corrugated pipe joint E30R03	E30R03-210500	2
103	5/8" corrugated pipe 300mm G20C01	G20C01-215302	1
104	knob for double gas outlet E36R05	E36R05-030100	3
105	knob for single gas outlet E30R05	E30R05-030100	2
106	knob for thermostat C36R05	C36R05-030101	1
107	36" knob for switch C36R05	C36R05-030105	1
108	switch support E30R04	E36R04-031200	5
109	red indicator G36X03	G36X03-031000-7	3
110	Round press button G36R45	G36R45-170200	1
111	Round press button G36R43	G36R43-170200	1
113	cooktop front pressing plate E30R03	E36R03-023400	2
114	control panel E36R45	E36R45-030300	1
115	switch support double ring E30R05	E30R05-031600	3
116	switch support E30R03	E30R03-031200	2
117	knob shining PCB G36R04	G36R04-031000	7
118	plastic rivet G36R03	G36R03-232902	14
119	knob ring G36R04	G36R04-030200	7
120	Cooktop switch E30R05	E30R05-031601	2
121	switch 5+0 C36R05	C36R05-170800	1
122	thermo-control component switch C36R05	C36R05-030900	1
123	red LED light G36X04	G36X04-031000-7	7
124	cooktop front strengthen part E36R03	E36R03-025000	1
125	front beam E36R05	E36R05-024100	1
126	back beam E36R05	E36R05-024101	1
127	radiant burner spring E24F08	E24F08-026100	15
128	radiant burner bolt E24R10	E24R10-025100	15
129	Radiant burner 12" 3000W E30R05	E30R05-022600	1
130	Radiant burner 9" 3000W E30R05	E30R05-022500	1
131	Radiant burner 2200W E30R05	E30R05-022400	1
132	Radiant burner 100W E30R03	E30R03-022300	1



133	Radiant burner 1200W E20R08	E20R08-022300	1
134	ceramic cooktop comonent E36R05	E36R05-020000	1
135	cooktop back strengthen part E36R03	E36R03-025001	1
136	backsplash board E36R05	E36R05-011500-Z	1

GUARANTEEDPARTS.COM

